

Freedom Designer Bathroom Grab Bar Package

Bronze, Left Hand

APFCACCE605-0002





ACCESSIBILITY
PROFESSIONALS

FreedomShowers.com

1-877-947-7769

Description:

APFGWL3730QCRBR

30" LH Piano Curved Bar w/Towel Bar

1-1/4" x 18ga S.S. Tubing

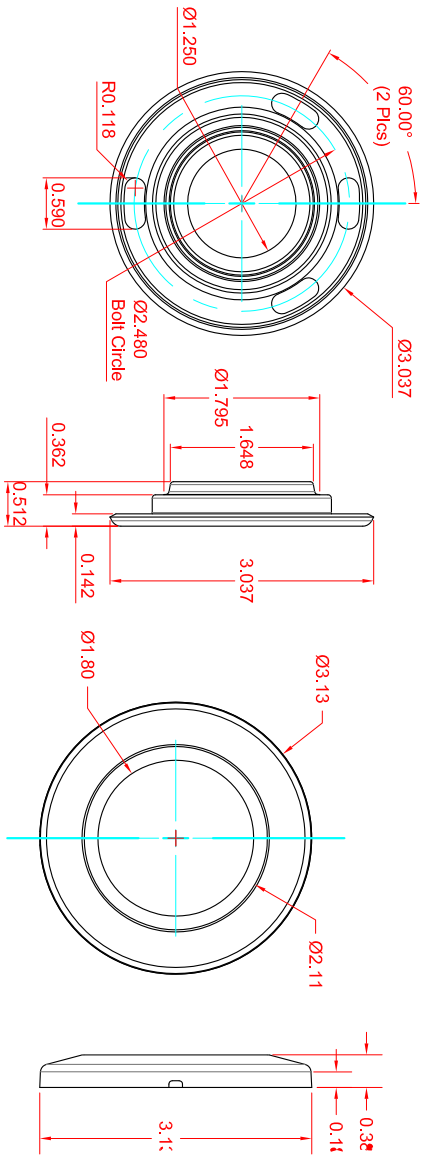
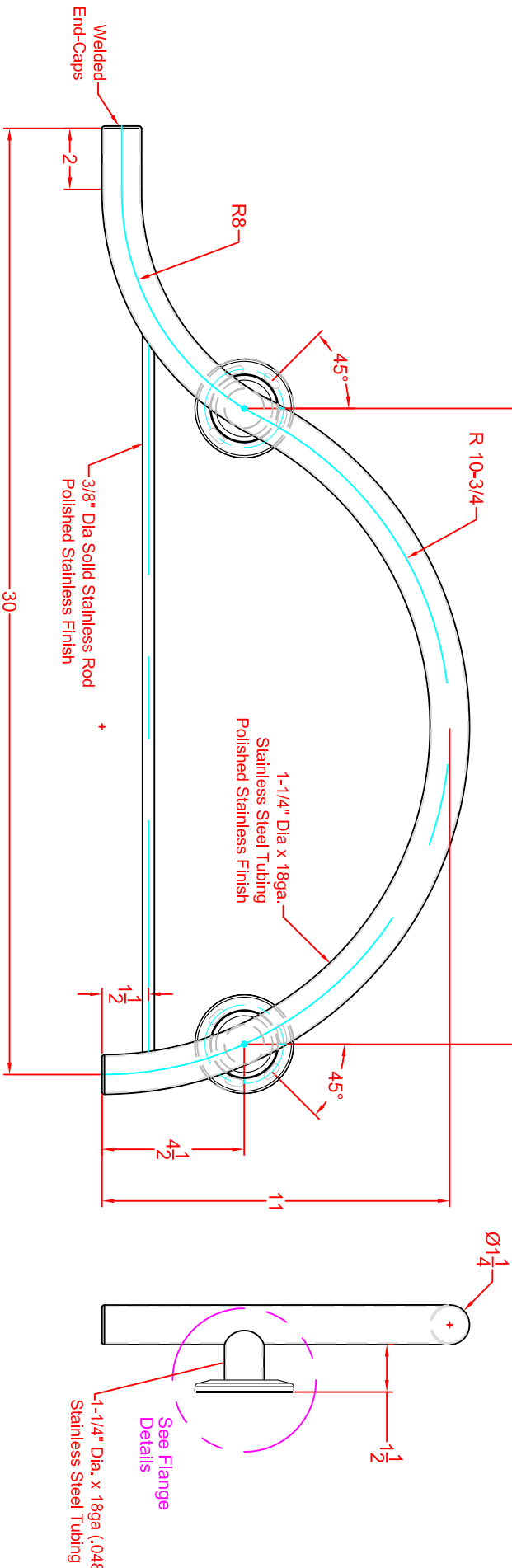
Bronze Powder Coat Finish

Customer:

Customer Part #

20" Centers

05-21-2012



IFSS-CER-FLANGE
Detail

ICSS-CCR-COVER
Detail



ACCESSIBILITY
PROFESSIONALS

FreedomShowers.com

1-877-947-7769

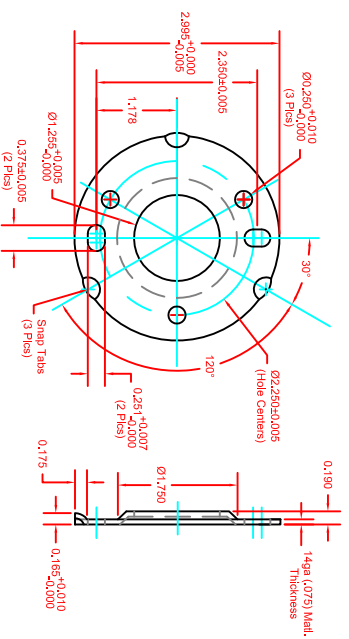
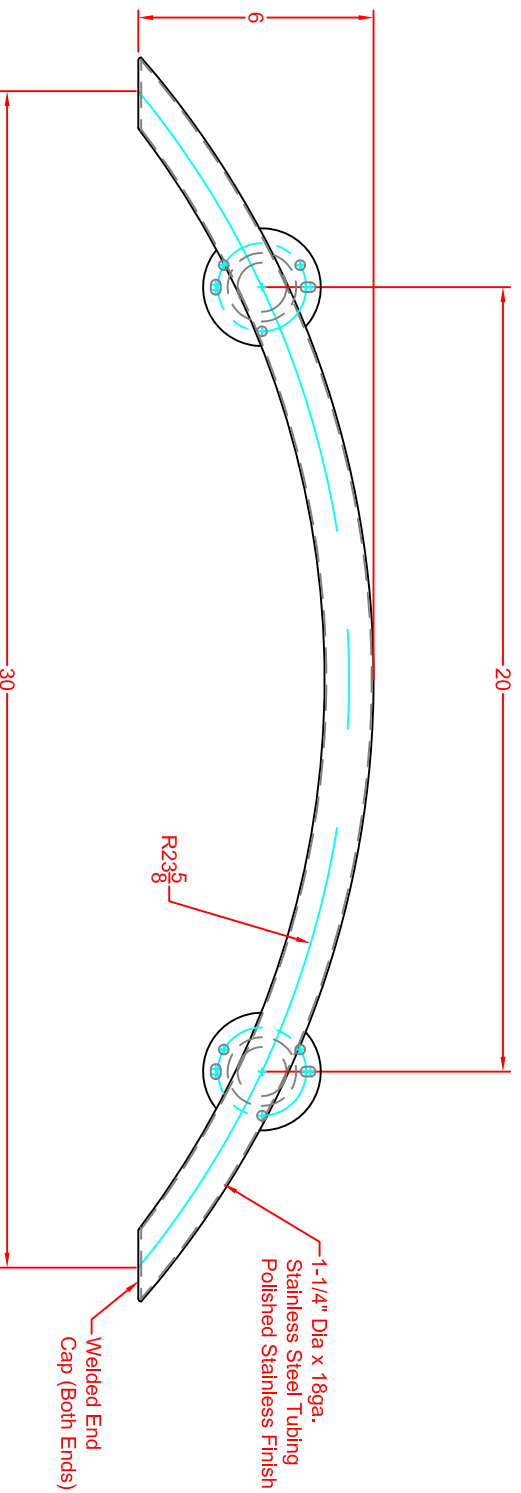
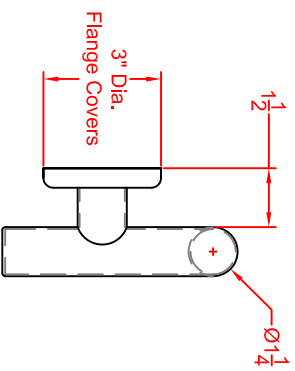
Description:

APFGW34300CRBR
30" Crescent Bar
1-1/4" x 18ga S.S. Tubing
Bronze Powder Coat Finish

Customer:

Customer Part #

05-21-2012





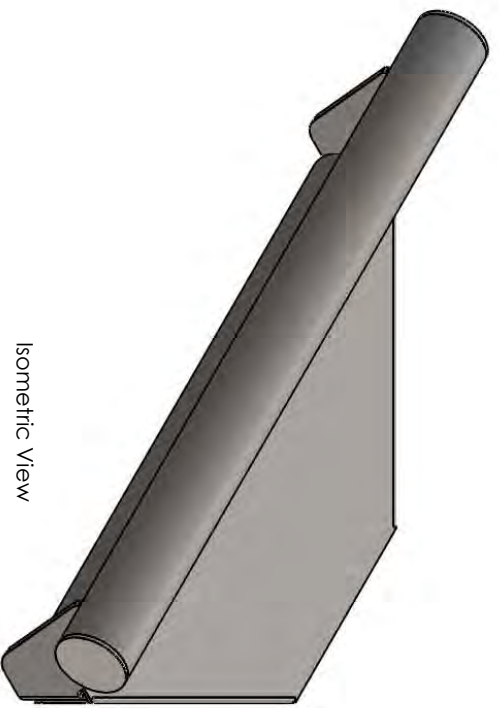
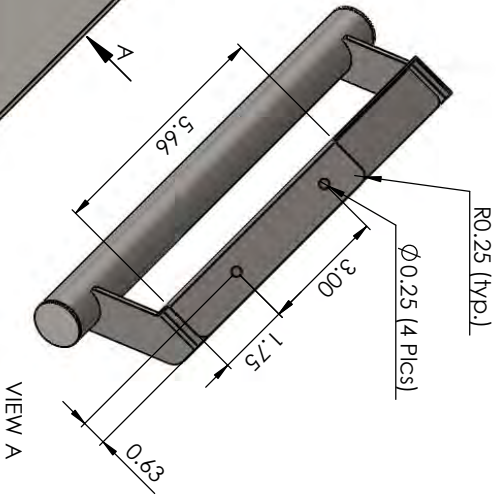
ACCESSIBILITY
PROFESSIONALS

FreedomShowers.com

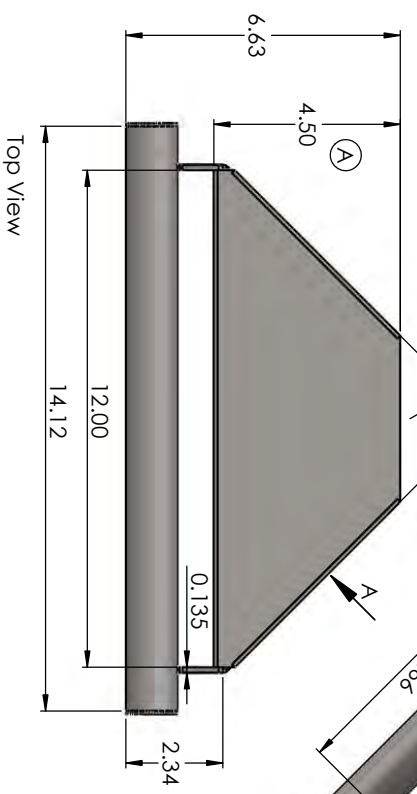
1-877-947-7769

REVISIONS

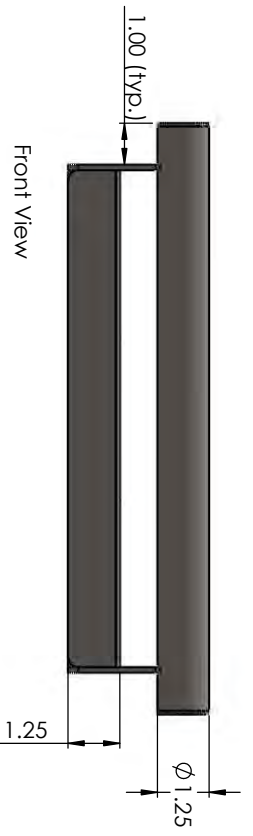
REV.	DESCRIPTION	DATE	APPROVED
A	Reduced depth by 1/2" to accommodate 1-1/4" Corner Radius.	02-13-2015	



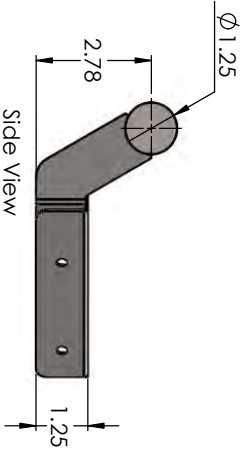
Isometric View



Top View



Front View



Side View

UNLESS OTHERWISE SPECIFIED:		NAME	DATE
DIMENSIONS ARE IN INCHES	DRAWN	Tong	03-13-15
TOLERANCES:	CHECKED		
ANGULAR MATCH ±	ENG APPR.		
BEND ±	MFG APPR.		
THREE PLACE DECIMAL ±	Q.A.		
INTERPRET GEOMETRIC TOLERANCING PER:	COMMENTS:		
MATERIAL			
16ga (0.020) Stainless			
FINISH			
PC BRONZE			
USED ON			
USED ON			
APPLICATOR			
APPLICATOR			

TITLE: Corner Shower Shelf
12" x 4-1/2" Shelf
w/ 14" Handle
Powdercoat Bronze

SIZE DWG. NO. **B** W-SC306-1406-BR_Q
SCALE: 1:5 WEIGHT: SHEET 1 OF 1



ACCESSIBILITY
PROFESSIONALS

FreedomShowers.com

1-877-947-7769

Description:

CORONADO SERIES
Straight Grab Bar w/ 19" Centers
(24" Overall, Both Ends Straight)

Customer:

790-240-QCR

08-31-2012

MATERIALS

1-1/4" Dia. x 18ga. Stainless Steel Tubing.
Post: 1-1/4" Dia. x 18ga. Stainless Steel.
Mounting Flange: 3" Dia., 14ga. Stainless Steel.
Concealed Snap-On Cover: 22ga. Stainless Steel.

