

Freedom Contractor Shower Grab Bar Package

Satin Stainless,
APFCACCE605-0008



Freedom Contractor Shower Bar Package

Tubing Material: Type 304 (18-8) Stainless Steel

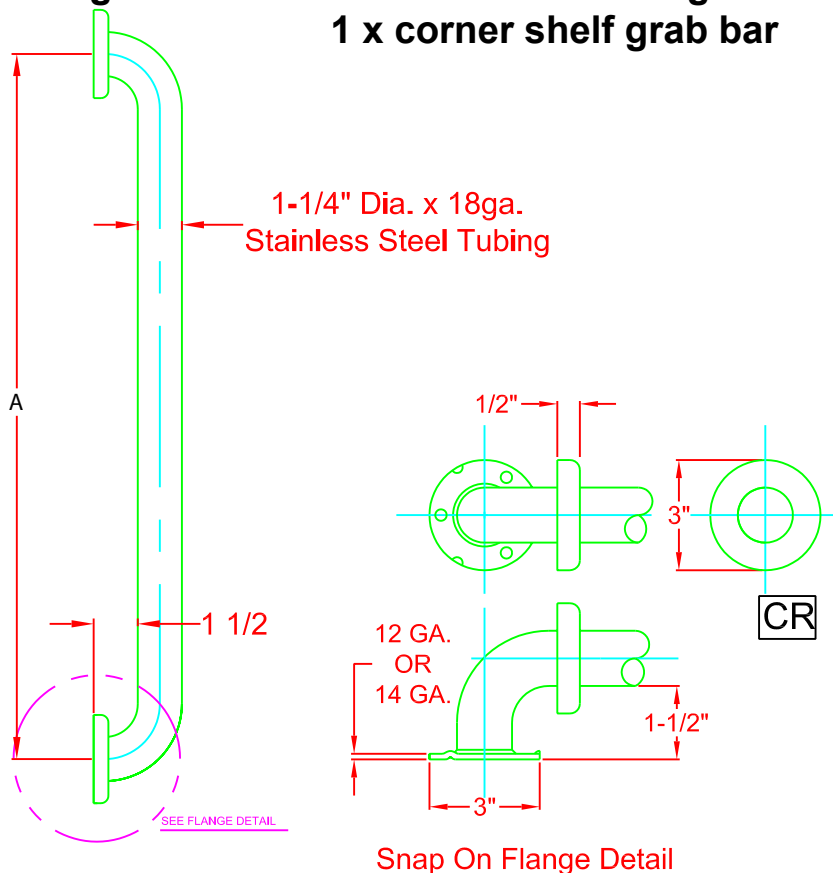
Tubing Size: 1-1/4" (32mm) O.D. x .049" (18ga) (1.2mm) Wall Thickness.

Flange Style: The following mounting flanges are constructed of Type 304 (18-8) Stainless Steel, Heliarc Welded to the bar to form an integral structural unit. 14 ga. (2.0mm) x 3" (76mm) dia. on 1-1/4" bars

Wall Clearance: On straight bars, the standard wall clearance between finished wall surface and the inner bar edge is 1-1/2" (38mm).

All Grab Bars must only be installed using sufficient in-wall backing material.

Package includes : 1 x 24" and 1 x 36" grab bar, 1 x towel grab bar and 1 x corner shelf grab bar



All bars meet Federal specifications WW-P 541/8b, Amendment 1, 16 April, 1990 ANSI 117.1 all FHA, VA & HUD specifications and

**COMPLIES WITH
ADA
REQUIREMENTS**





ACCESSIBILITY
PROFESSIONALS

FreedomShowers.com

1-877-947-7769

Description:

APFGW/3930QCRSS

Coronado Newport Grab Bar w/Towel Bar
30" Grab Bar w/Both Ends Straight
(Satin Stainless Finish)

Customer:

Customer Part #

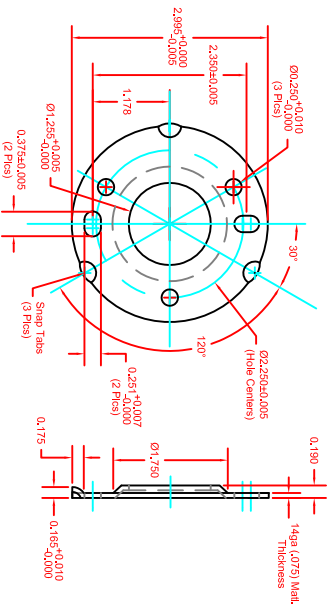
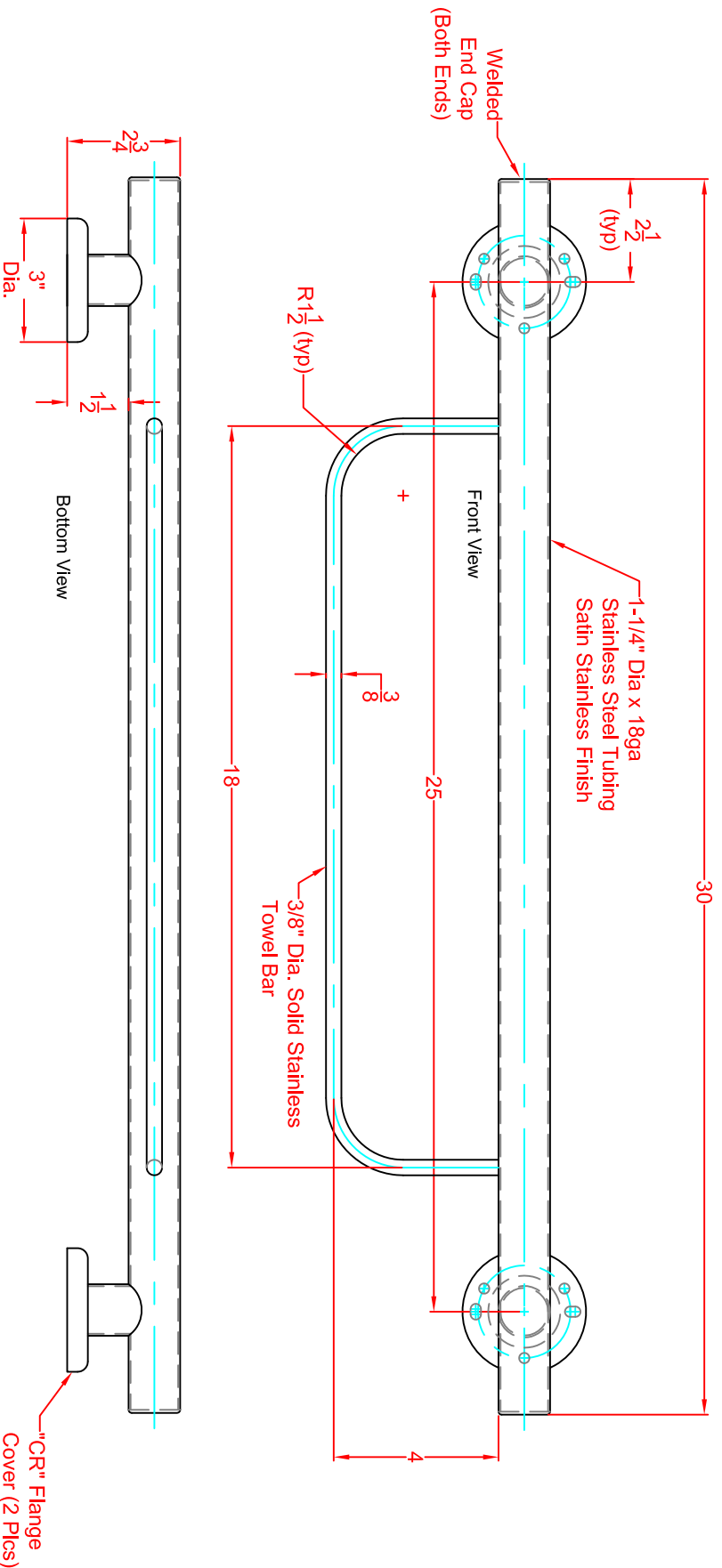
05-21-2012

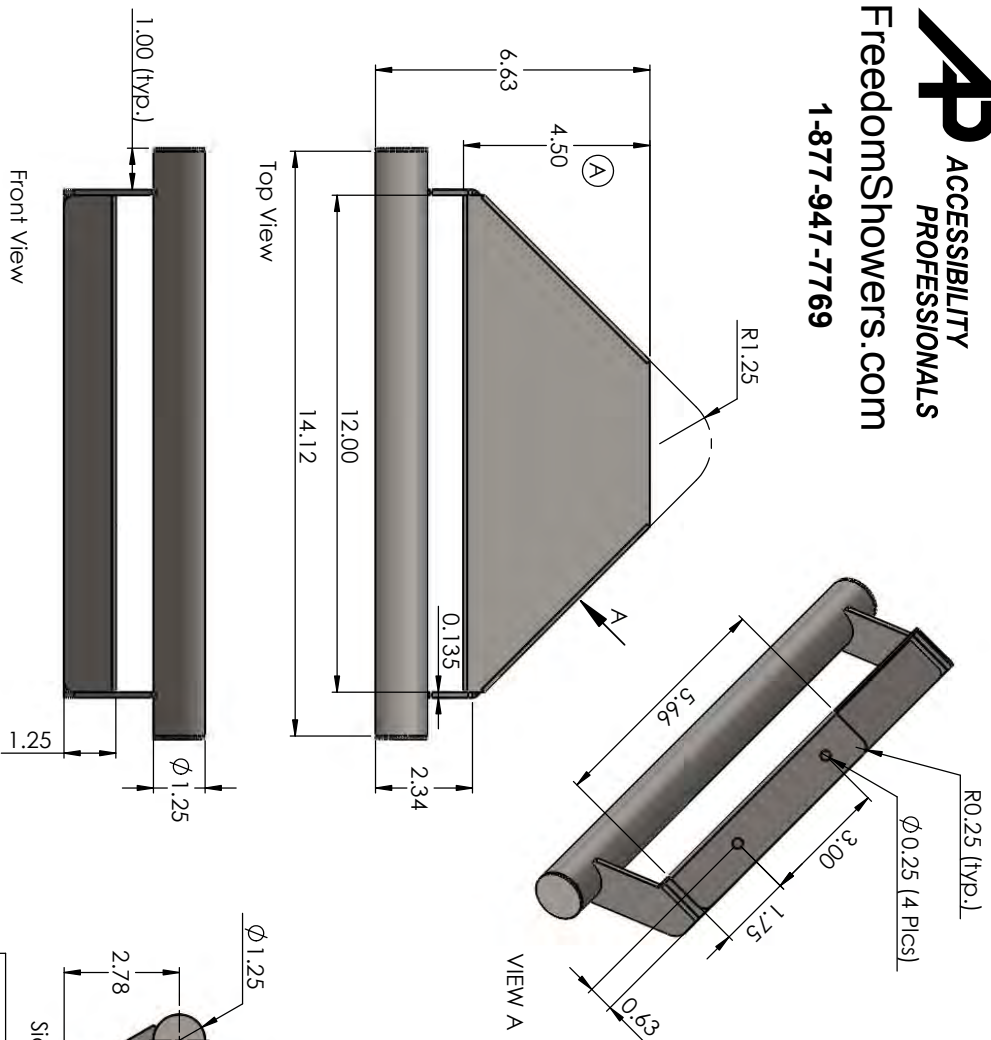
Material: 1-1/4" Dia. x 18ga. Type 304 S.S.

Finish: Satin Stainless Finish

Flanges: 14ga. Stainless Steel 3" Dia.

Towel Bar: 3/8" Dia. Solid Stainless Rod





REVISIONS			
REV.	DESCRIPTION	DATE	APPROVED
A	Reduced depth by 1/2" to accommodate 1-1/4" Corner Radius.	02-13-15	

UNLESS OTHERWISE SPECIFIED:			
DIMENSIONS ARE IN INCHES	DRAWN	NAME	DATE
TOLERANCES:		TONG	03-13-15
ANGULAR PITCH ±	CHECKED		
BEND ±	ENG APPR.		
THREE PLACE DECIMAL ±	MFG APPR.		
	Q.A.		
INTERPRET GEOMETRIC TOLERANCING PER:	COMMENTS:		
MATERIAL			
16ga (0.020) Stainless			
FINISH			
Satin Stainless			
USED ON			
USED ON			
NEPT ASSY			
APPLICATION			
DO NOT SCALE DRAWING			

TITLE: Corner Shower Shelf
 12" Shelf x 4-1/2"
 w/ 1/4" Handle
 Satin Stainless

SIZE: DWG. NO. **B**
W-SC306-1406-SS_Q

SCALE: 1:5 **WEIGHT:** SHEET 1 OF 1